

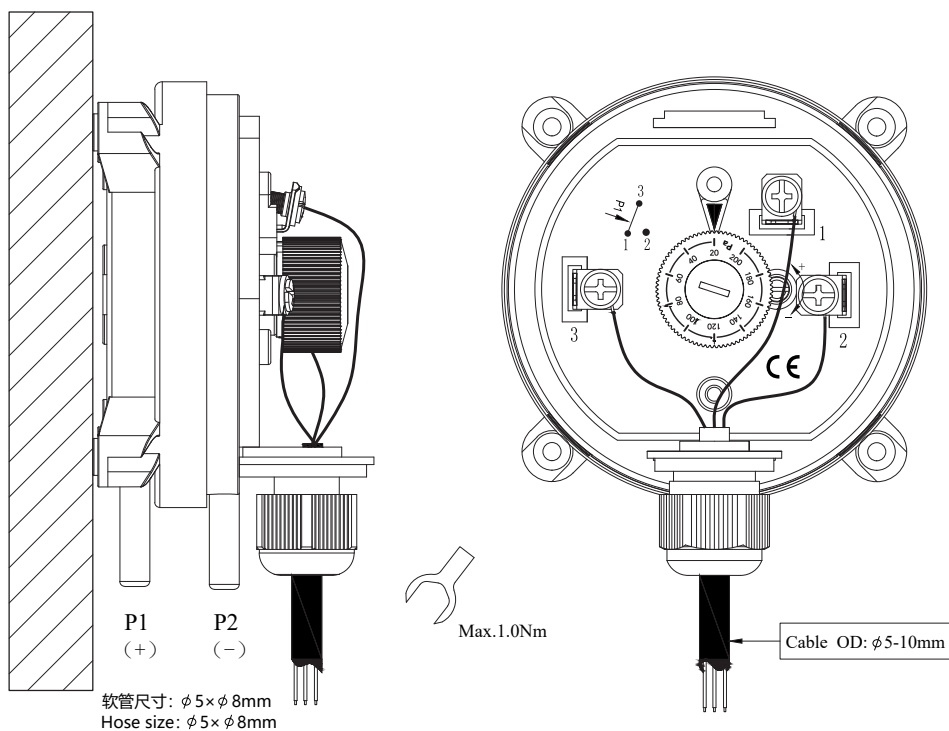
空气压差开关安装指导

Differential Air Pressure Switch Installation Guide

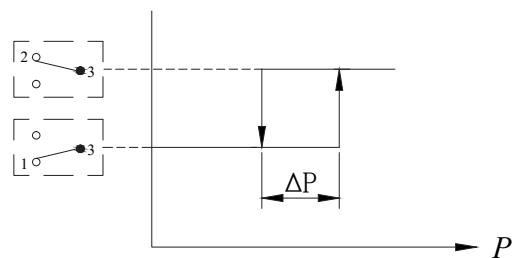
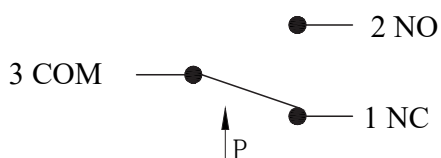


安装指导 / INSTALLATION GUIDE

1. 接线图示 CONNECTIONS



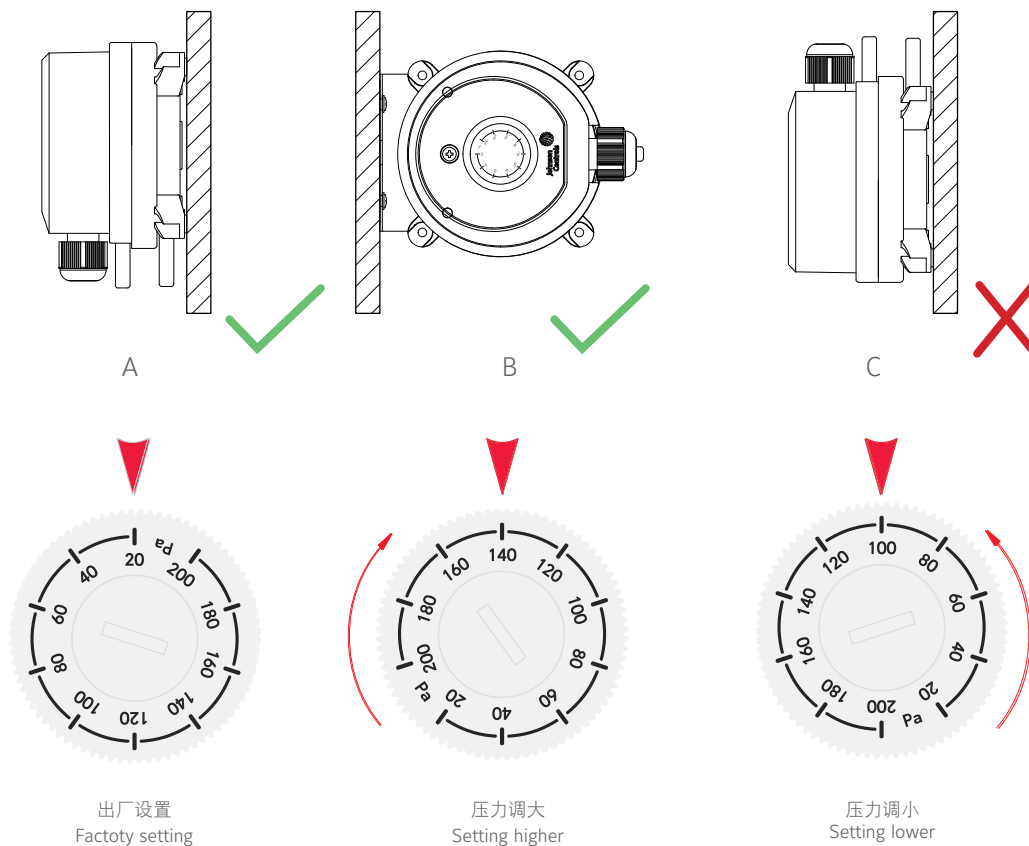
2. 开关功能 SWITCH FUNCTIONS



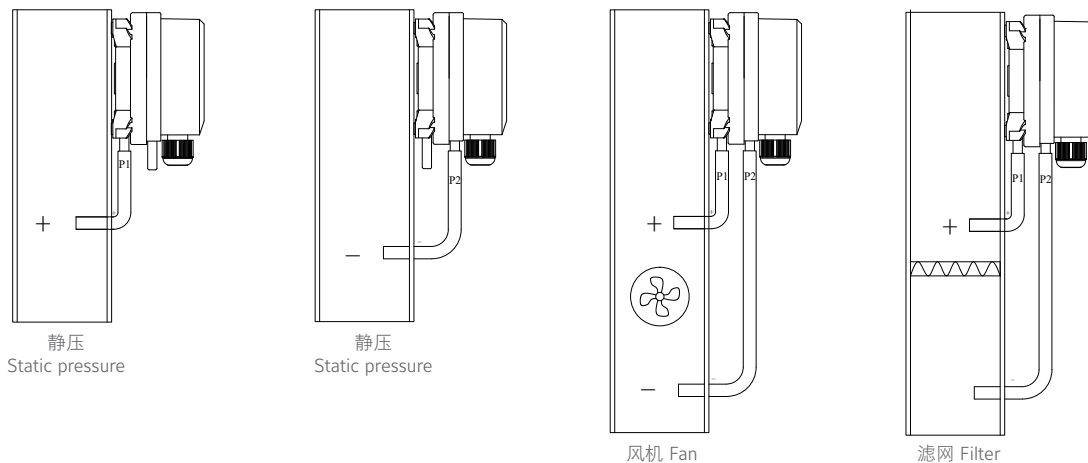
3. 安装建议 INSTALLATION INSTRUCTIONS

建议产品底座贴墙并垂直安装，压力接口或者电缆需向下。如果开关水平安装且罩盖朝上，则实际压力开关值比设定点约增加 20Pa

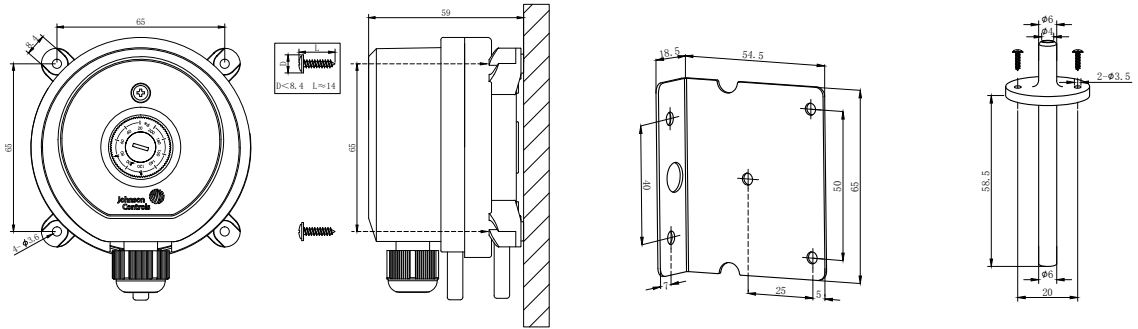
To be installed flush mounted in vertical position, either the pressure inlets or the electrical cable downward. If the switch is installed horizontally with upwards directed cover, the actual switching pressure value is approx. 20Pa higher than setting value.



4. 应用 APPLICATIONS



5. 安装尺寸 DIMENSIONS (mm)



基本参数 / SPECIFICATION

型号 MODELS

* 型号 Models	压力范围 Range	压差 Switching differential ΔP
P133A-2-xxx-x	20-200Pa	10Pa
P133A-5-xxx-x	50-500Pa	20Pa
P133A-10-xxx-x	200-1000Pa	100Pa
P133A-25-xxx-x	500-2500Pa	150Pa

* 更多型号请咨询江森自控 Please contact Johnson Controls for more models.

介质 Medium	空气, 不可燃和非腐蚀性气体 Air, non-combustible and non-aggressive gases
最大工作压力 Max. pressure	10kPa
电气参数 Electrical rating	最大负载能力 Contact capacity max : 1.5A(0.4A)/250VAC
压力连接 Pressure connectors	P1(+) Connection for higher pressure 高压接口 P2(-) Connection for lower pressure 低压接口
电气连接 Electrical connection	6.35 x 0.80 mm 标准扁平插片或螺钉端子 Spade terminal 6.35 x 0.80 mm or screw terminals
温度范围 Temperature range	工作温度 Operating temperature: -20°C ~ +85°C 储藏温度 Storage temperature: -40°C ~ +85°C
附件 Accessories	标准附件包: L型支架 1个, 支架螺钉 5只, 塑料软管 2m, 连接管 2个, 安装螺钉 5只, 接线插片总成 3个 Standard Kit: 1 L type metal bracket, 5 bracket screw, 2m of PVC hose, 2 PVC connectors, 5 mounting screw, 3 female quick plug terminal



注意事项 / NOTES

安装前请仔细阅读本说明书，妥善保管以备日后参考。

P133 系列是一种用于感测（差压）气压的压力控制装置。它们仅用于操作控制器。如果操作控制故障会导致人身伤害或财产损失，安装人员有责任添加设备或系统以防止或警告控制故障发生。

在取下盖子之前需断开电源。

在温度 $< 0^{\circ}\text{C}$ 时避免冷凝，结冰会阻塞或损坏开关。

在离开安装之前检查各种步骤，至少观察三个完整的操作周期，以确保所有组件都正常工作。如果不清楚，请联系您的供应商。

READ THIS INSTRUCTION SHEET CAREFULLY BEFORE INSTALLING, RETAIN IT SAFELY FOR FUTURE REFERENCE.

The P133 series is a pressure operating control designed to sense (differential) air pressure. They are designed for use only as operating controls. Where an operating control failure would result in personal injury and/or loss of property, it is the responsibility of the installer to add devices or systems that protect against, or warn of, control failure.

Disconnect from power supply before the cover is removed.

Avoid condensation when applied at temperatures $< 0^{\circ}\text{C}$. Ice forming can block or damage the switch.

Check out procedure before leaving the installation observe at least three complete operating cycles to be sure that all components are functioning correctly. If not contact your supplier.



有害物质声明表

COMPONENT AND CONTENT OF HARMFUL SUBSTANCES

部件名称 Parts	有害物质 harmful substances					
	铅 (Pb)	汞 (Hg)	镉 (Cd)	六价铬 (Cr (VI))	多溴联苯 (PBB)	多溴二苯醚 (PBDE)
罩盖 Cover	○	○	○	○	○	○
底座 Base	○	○	○	○	○	○
旋钮 Knob	○	○	○	○	○	○
膜片 Diaphragm	○	○	○	○	○	○
弹簧片 Spring leaf	○	○	○	○	○	○
电气端子 Terminal	×	○	○	○	○	○
传动组件 Transmission	×	○	○	○	○	○

说明:

1. ○: 表示该有害物质在该部件所有均质材料中的含量在 GB/T26572-2011 规定的限量要求以下。
O: Indicates that the content of the hazardous substance in all homogeneous materials of the component is below the limit requirement specified in GB/T26572-2011

2. ×: 表示该有害物质至少在该部件的某一均质材料中的含量超过 GB/T26572-2011 中规定的限量要求。
×: Indicates that the hazardous substance contained in at least one of the homogeneous materials of the component exceeds the limit requirements specified in GB/T26572-2011

3. 部件含铅说明: 部分电气端子及传动件使用的是铜铅合金材料。
Description of parts: Some electrical terminals and transmission parts use copper-lead alloy materials.